

YB172系列 Series

◆产品及应用/products and applications

- 专为IEC标准连接器设计
- 带两个保险管和开关控制
- 通用、小巧、方便安装
- 性价比高
- 用于集成电子设备和电子测量仪器, 医疗设备及医疗特别应用
- Designed for IEC standard connectors
- With a Bao Xian Guan and switch control
- Three-in-one filter
- Used for integrating electronic equipment and electronic measuring instruments, medical equipment and special medical applications

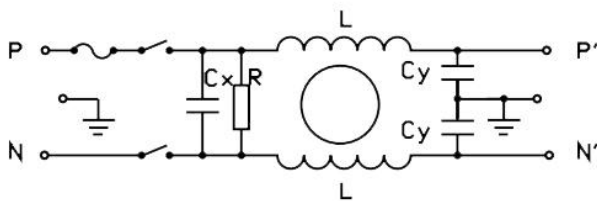


◆技术参数/Specification

最高工作电压 Maximum operating voltage (VAC)	工作频率 Operating frequency Hz	试验电压 Hipot test voltage		工作温度 Operating temperature	绝缘电阻 Minimum insulation resistance
		P-N(VDC)	PN-E(VAC)		
250	50/60	1500	1500	-25~+85℃	>200M @500VDC

产品型号 FILTER	额定电流 Current rating (@40℃)A	泄漏电流 Leakage current	外形尺寸 Housing	电路参数 Components				重量 weight (g)
				L (mH)	Cx (nF)	Cy (nF)	R (MΩ)	
YB170-1	1A	≤0.5mA	I2	5.0	220	2.2	1.0	60
YB170-3	3A	≤0.5mA	I2	2.0	220	2.2	1.0	60
YB170-6	6A	≤0.5mA	I2	0.5	220	2.2	1.0	60
YB170-10	10A	≤0.5mA	I2	0.3	220	2.2	1.0	60

◆ 电路原理图/Circuit Diagram

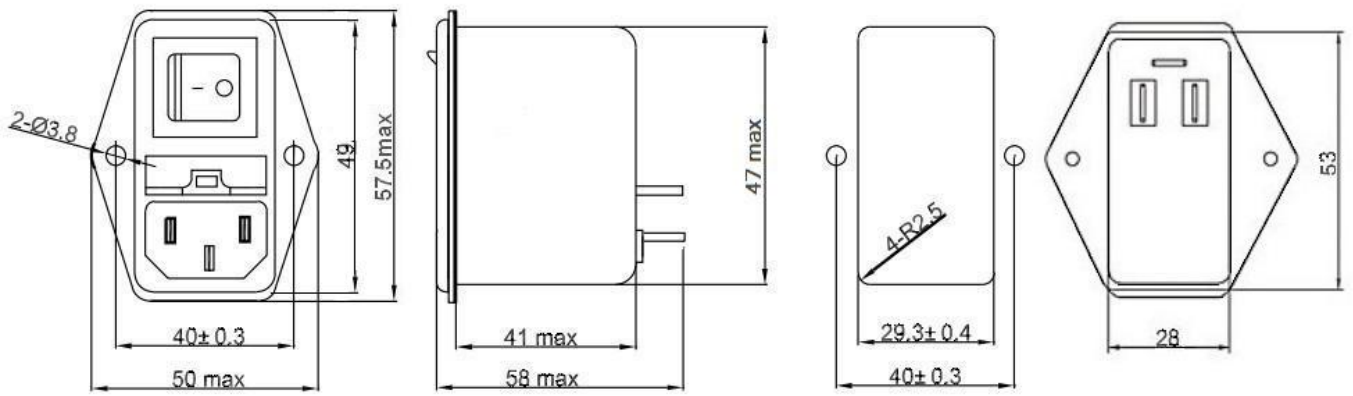


B medical types (no Y capacitors)

◆ 插入损耗/Insertion loss in dB (PER CISPR 17; A=50/50ΩSym)

LINE TO GROUND(PN---E) 共模 (dB)								LINE TO LINE(P---N) 差模 (dB)							
MHz	.1	.15	.5	1	5	10	30	.1	.15	.5	1	5	10	30	
YB170-1	30	33	49	52	46	45	50	18	20	35	43	60	66	70	
YB170-3	21	25	40	43	43	40	45	12	15	30	37	53	59	60	
YB170-6	15	18	30	34	42	41	33	15	18	31	39	48	50	36	
YB170-10	11	11	28	30	45	55	38	10	10	28	35	45	55	40	

◆ 外型尺寸/Housing and dimensions: (mm)



12