

BR系列—低速比，高性能

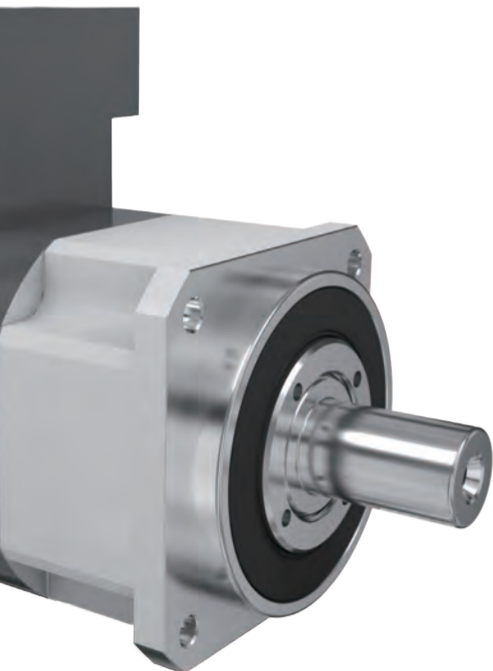
BR SERIES—LOW SPEED RATIO, HIGH PERFORMANCE

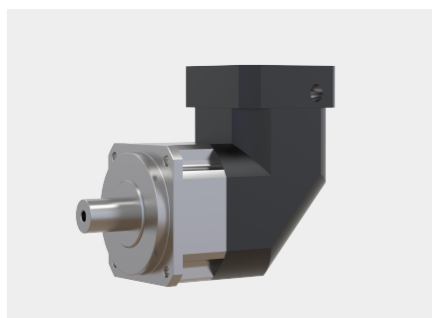
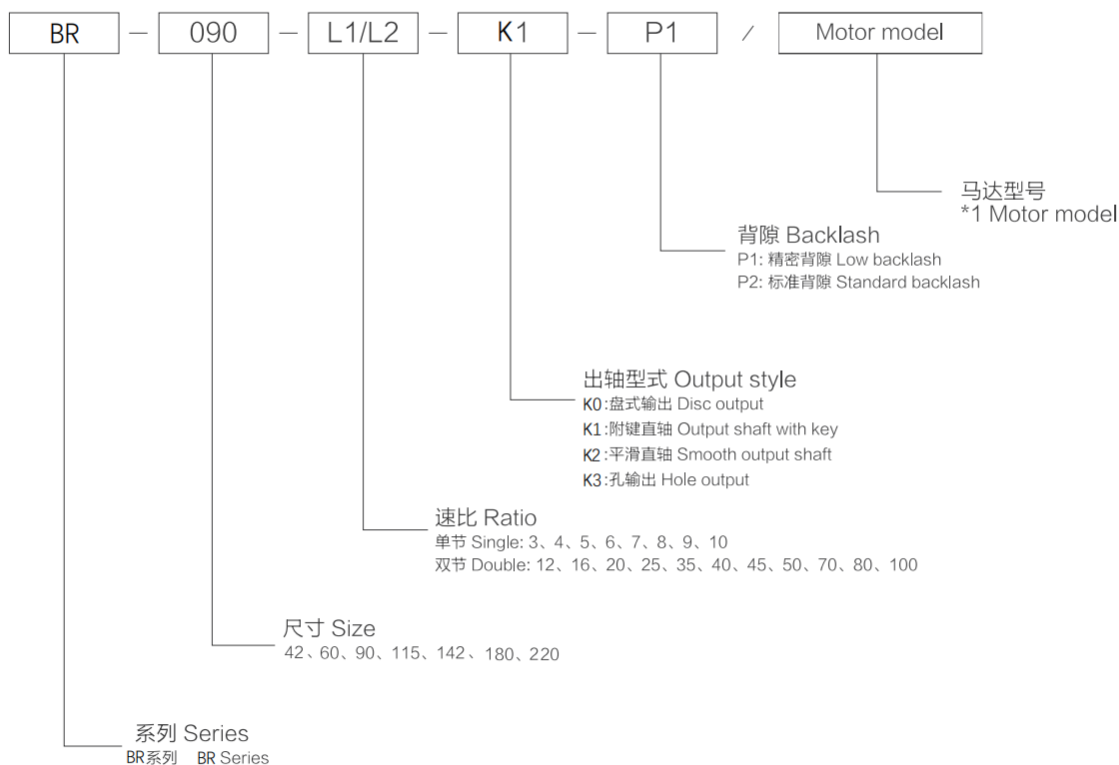
BR系列效率更高, 运行更佳, 更低的运行噪音;
该系列新型产品以低运行噪音, 坚实的结构
及其更为简单易行的安装方式更加值得信赖。

The BR series has higher efficiency, better operation and lower running noise; the new-type products of this series are more trustworthy with low running noise, solid structure and easier installation.

技术参数* TECHNICAL PARAMETERS

回程间隙 Return clearance	arcmin	2~9
速比 Speed ratio	i	3~100
额定输出力矩 Rated output torque	Nm	14~2000
使用温度°C Using temperature°C	°C	-10~90
噪音 The noise	dB(A)	61~72
工作效率 The work efficiency	%	95
工作寿命 The working life	h	20000



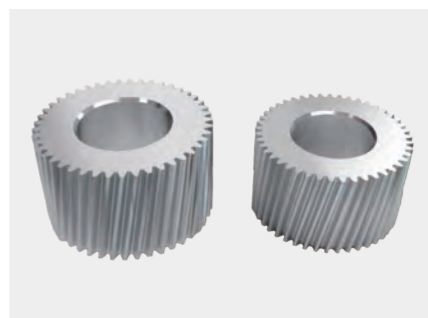


BR系列—低速比, 高性能
BR series-low speed ratio, high performance



出力轴为研磨光面处理, 与油封搭配确保最低摩擦系数和启动负载

The output shaft is treated with abrasive finish and matched with oil seal to ensure minimum friction coefficient and starting load



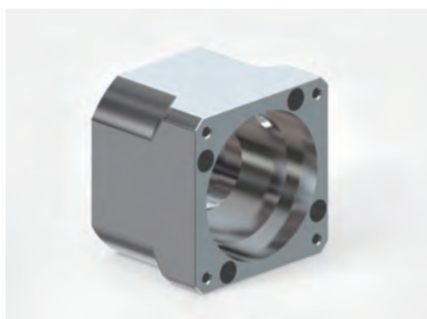
齿面宽, 参数做大, 实现高强度

The tooth surface is wide, the parameters are larger, and the high strength is achieved



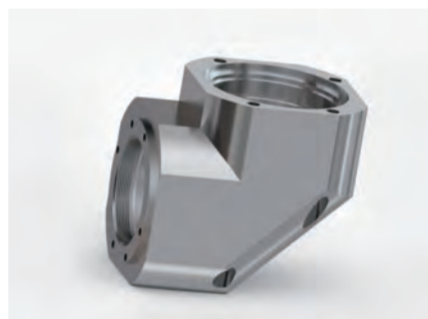
用螺旋伞齿轮, 高精度咬合, 低背隙, 低噪音

With spiral bevel gear, high precision occlusion, low back clearance, low noise



锁紧环经动平衡分析, 确保连转中, 同心度和零滑差传递

The dynamic balance analysis of the locking ring ensures the concentricity and zero slip transfer in the continuous rotation



高精度一体化角块系统

High precision integrated corner block system

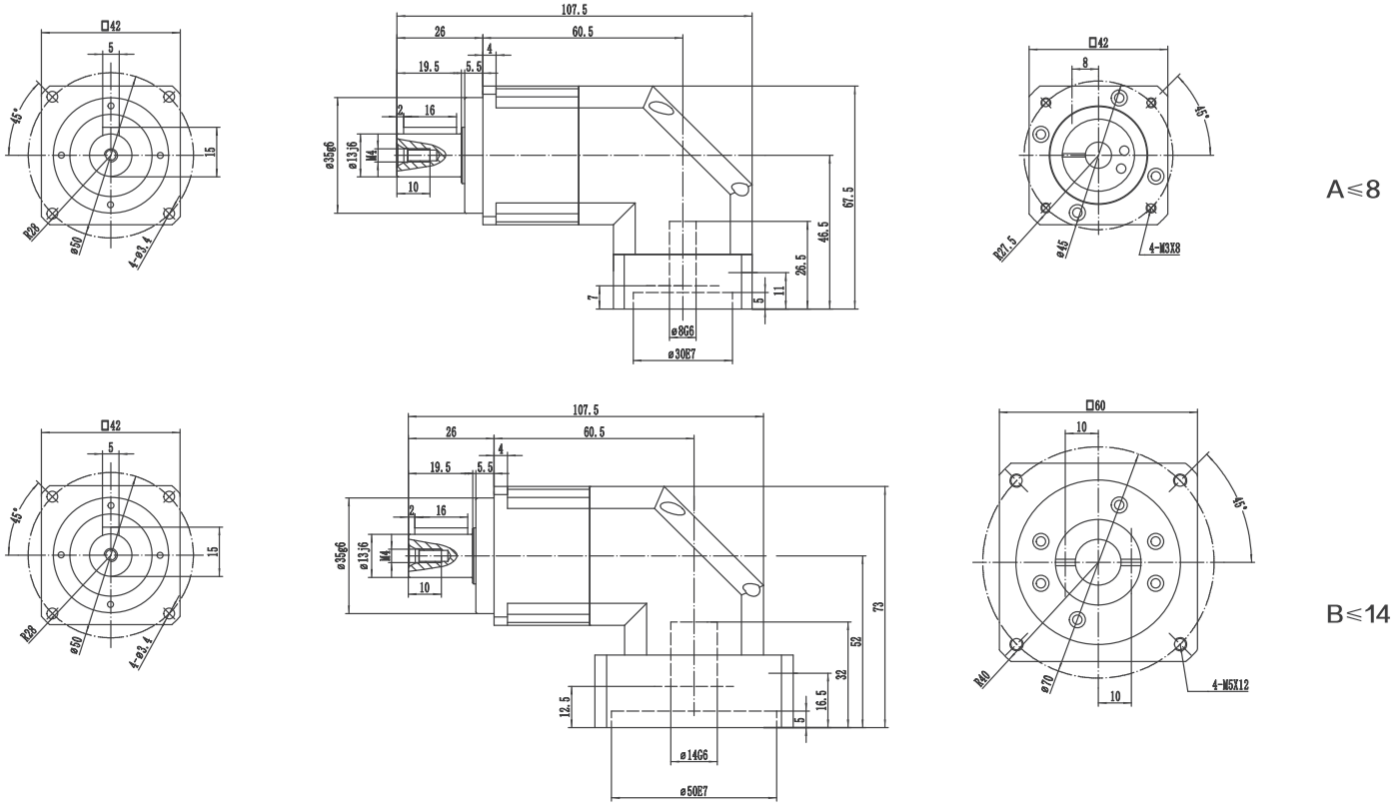
减速机性能资料 REDUCER PERFORMANCE DATA

BR042			单级/One-stage								双级/Two-stage									
速比 ⁽¹⁾ Speed ratio	i		3	4	5	6	7	8	9	10	12	16	20	25	35	40	50	70	100	
额定输出力矩(n_{1N}) Rated output torque	T_{2N}	Nm	20	19	22	20	19	17	14	14	20	19	19	22	19	17	22	19	14	
紧急制动力矩 Emergency braking torque (在减速机工作寿命内允许1000次) (1000 times during the working life of the reducer)	T_{2NOT}	Nm	3倍额定输出力矩/3 Times rated output torque																	
额定输入转速(T_{2n} , 20°C环境温度) Rated input speed (T_{2n} , 20 °C ambient temperature)	n_{1N}	rpm	5000																	
最大输入转速 Maximum input speed	n_{1max}	rpm	10000																	
空载力矩($n_l=3000rpm$, 20°C环境温度) No-load torque ($n_l=3000 RPM$, 20°C ambient temperature)	T_{012}	Nm	0.5	0.4	0.4	0.3	0.3	0.2	0.2	0.2	0.4	0.3	0.3	0.3	0.3	0.3	0.2	0.2	0.1	
回程间隙PS Backlash PS	j_t	Arcmin	≤2								≤3									
回程间隙P0 Backlash P0	j_t	Arcmin	≤4								≤5									
回程间隙P1 Backlash P1	j_t	Arcmin	≤6								≤7									
回程间隙P2 Backlash P2	j_t	Arcmin	≤8								≤9									
扭转刚度 Torsional stiffness	C_{121}	Nm/Arcmin	3																	
最大轴向力 ⁽²⁾ Maximum axial force	F_{2AMax}	N	390																	
最大径向力 ⁽²⁾ Maximum radial force	F_{2RMax}	N	780																	
工作效率 Work efficiency	η	%	95								92									
工作寿命 ⁽³⁾ Service life	L_h	h	20000																	
噪音 ($i=10$ 和 $n_l=3000rpm$, 空载) Noise ($i=10$ and $n_l=3000rpm$, no load)	L_{PA}	DB(A)	≤61																	
重量 Weight	m	Kg	0.9								1.2									
安装方向 Installation direction			任意方向/Any direction																	
使用温度 ⁽⁴⁾ Operating temperature	°C		-10~90																	
润滑方式 Lubrication method			终生润滑/Lifetime lubrication																	
防护等级 Protection level			IP65																	
转动惯量 Moment of inertia 按减速机输入直径(mm) Input diameter based on the reducer(mm)	8	J_1	Kgcm ²	0.07	0.06	0.05	0.05	0.04	0.03	0.03	0.03	0.03	0.03	0.03	0.03	0.03	0.02	0.02	0.02	
	11	J_1	Kgcm ²	0.13	0.13	0.12	0.12	0.12	0.11	0.07	0.06	0.1	0.1	0.08	0.08	0.07	0.07	0.06	0.06	0.05
	14	J_1	Kgcm ²	0.16	0.16	0.14	0.14	0.13	0.12	0.09	0.08	0.12	0.12	0.11	0.1	0.1	0.09	0.09	0.07	0.06

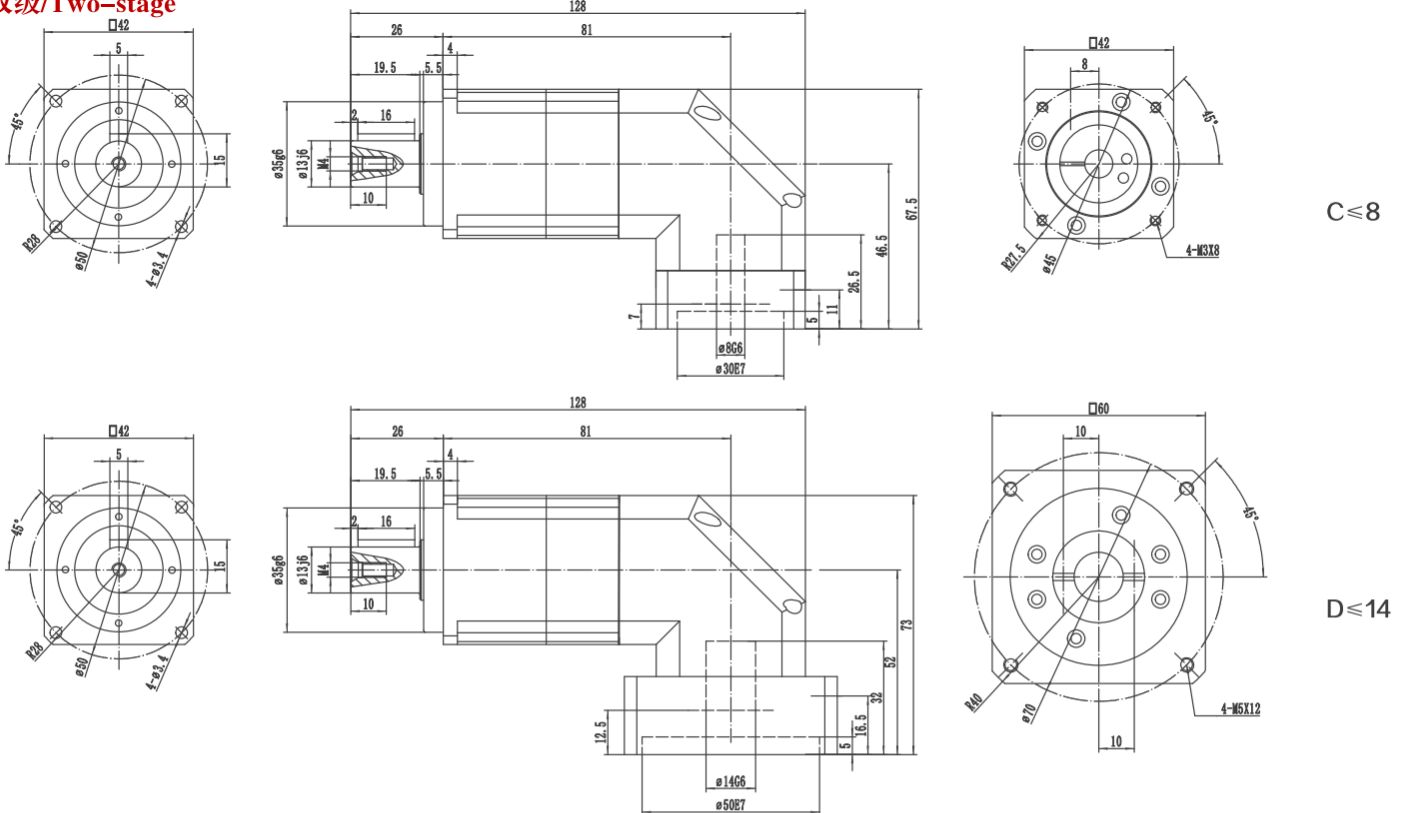
1. 可选其他减速比
2. 输出轴中心点
3. 连续运转时, 使用寿命为10000h
4. 对温度有特殊要求请联系

1. Optional other ratio
2. Output shaft center point
3. Service life of 10000h in continuous operation
4. For special requirements on temperature, please contact

单级/One-stage



双级/Two-stage



- (1) 请参照马达轴径尺寸
 - (2) 马达轴最长长度, 如有特殊的马达轴尺寸, 请联系
 - (3) 减速机输入端尺寸, 依马达的法兰面而定
- *如无适合的尺寸, 请联系

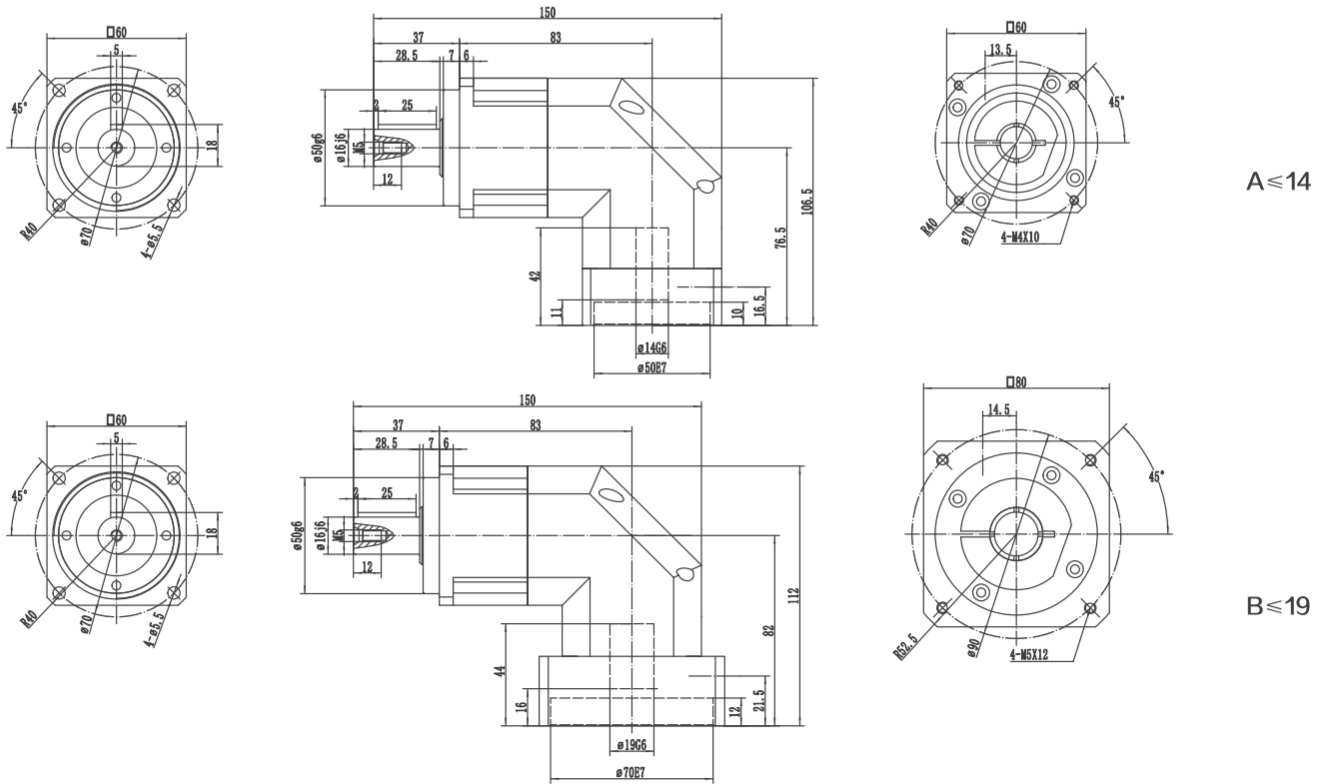
- (1) Please refer to the motor shaft diameter
 - (2) Motor shaft length, for special motor shaft size, please contact
 - (3) Reducer input size, depending on the flange surface of the motor
- *If no suitable size available, please contact

BR060			单级/One-stage												双级/Two-stage											
速比 ⁽¹⁾ Speed ratio	i		3	4	5	6	7	8	9	10	12	16	20	25	30	35	40	50	60	70	80	100				
额定输出力矩(n_{1N}) Rated output torque	T_{2N}	Nm	55	50	60	55	50	45	40	40	55	45	40	60	55	50	50	55	55	50	45	40				
紧急制动力矩 Emergency braking torque (在减速机使用寿命内允许1000次) (1000 times during the working life of the reducer)	T_{2NOT}	Nm	3倍额定输出力矩/3 Times rated output torque																							
额定输入转速(T_{2n} , 20°C环境温度) Rated input speed (T_{2n} , 20 °C ambient temperature)	n_{1N}	rpm	4000																							
最大输入转速 Maximum input speed	n_{1max}	rpm	8000																							
空载力矩($n_l=3000rpm$, 20°C环境温度) No-load torque ($n_l=3000 RPM, 20^\circ C$ ambient temperature)	T_{012}	Nm	0.9	0.8	0.8	0.7	0.6	0.5	0.5	0.4	0.5	0.4	0.3	0.6	0.6	0.55	0.5	0.5	0.4	0.4	0.35	0.3				
回程间隙PS Backlash PS	j_t	Arcmin	≤ 2												≤ 3											
回程间隙P0 Backlash P0	j_t	Arcmin	≤ 4												≤ 5											
回程间隙P1 Backlash P1	j_t	Arcmin	≤ 6												≤ 7											
回程间隙P2 Backlash P2	j_t	Arcmin	≤ 8												≤ 9											
扭转刚度 Torsional stiffness	C_{121}	Nm/Arcmin	4.5																							
最大轴向力 ⁽²⁾ Maximum axial force	F_{2AMax}	N	770																							
最大径向力 ⁽²⁾ Maximum radial force	F_{2RMax}	N	1550																							
工作效率 Work efficiency	η	%	95												92											
工作寿命 ⁽³⁾ Service life	L_h	h	20000																							
噪音 ($i=10$ 和 $n_l=3000rpm$, 空载) Noise ($i=10$ and $n_l=3000rpm$, no load)	L_{PA}	DB(A)	≤ 63																							
重量 Weight	m	Kg	2.1												2.8											
安装方向 Installation direction			任意方向/Any direction																							
使用温度 ⁽⁴⁾ Operating temperature	°C		-10~90																							
润滑方式 Lubrication method			终生润滑/Lifetime lubrication																							
防护等级 Protection level			IP65																							
转动惯量 Moment of inertia 按减速机输入直径(mm) Input diameter based on the reducer(mm)	11	J_1	Kgcm ²	0.25	0.2	0.2	0.15	0.13	0.12	0.1	0.1	0.09	0.09	0.08	0.1	0.1	0.09	0.08	0.08	0.08	0.08	0.08				
	14	J_1	Kgcm ²	0.28	0.25	0.25	0.22	0.18	0.17	0.15	0.14	0.14	0.13	0.12	0.17	0.17	0.17	0.16	0.16	0.16	0.16	0.15				
	19	J_1	Kgcm ²	0.65	0.6	0.55	0.55	0.52	0.5	0.5	0.48	0.48	0.45	0.42	0.18	0.18	0.16	0.15	0.15	0.15	0.15	0.14	0.14			

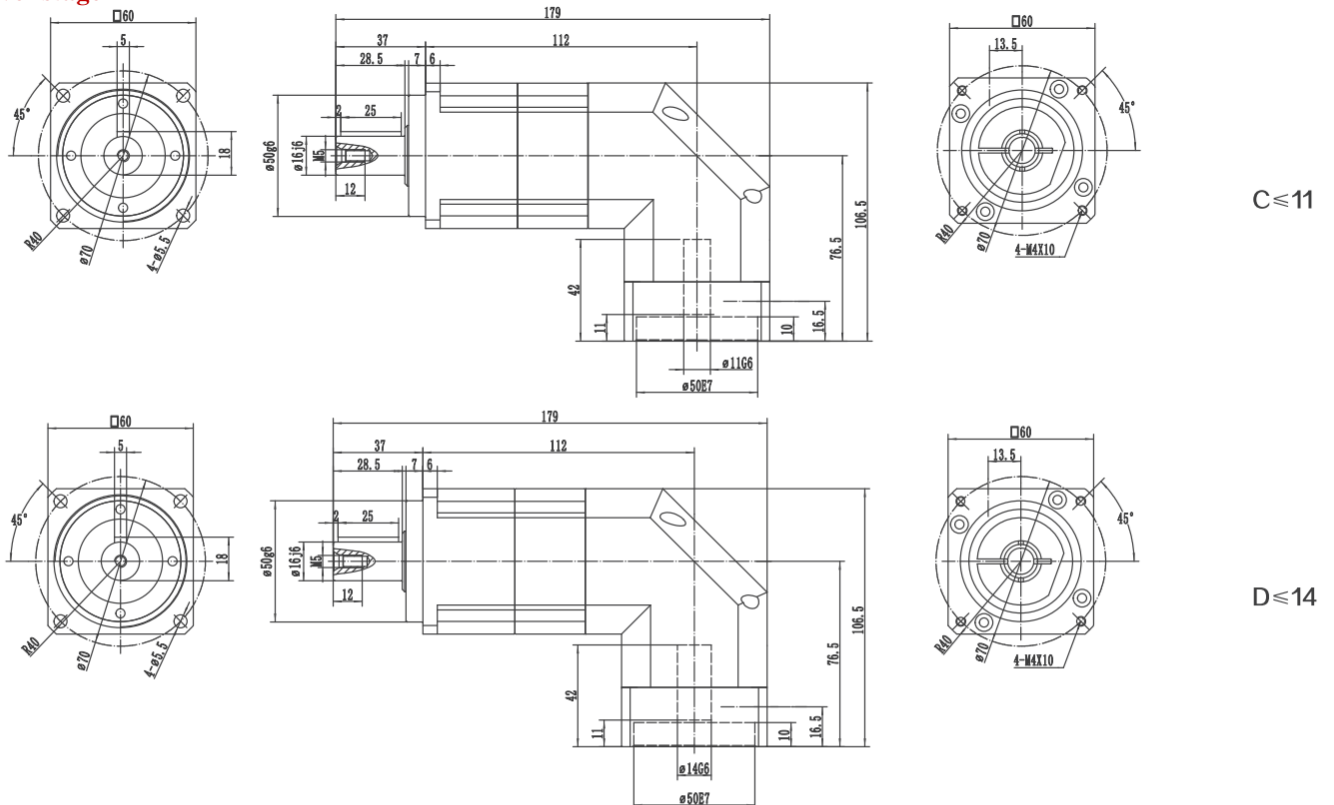
1. 可选其他减速比
2. 输出轴中心点
3. 连续运转时, 使用寿命为10000h
4. 对温度有特殊要求请联系

1. Optional other ratio
2. Output shaft center point
3. Service life of 10000h in continuous operation
4. For special requirements on temperature, please contact

单级/One-stage



双级/Two-stage



- (1) 请参照马达轴径尺寸
 - (2) 马达轴最长长度, 如有特殊的马达轴尺寸, 请联系
 - (3) 减速机输入端尺寸, 依马达的法兰面而定
- *如无适合的尺寸, 请联系

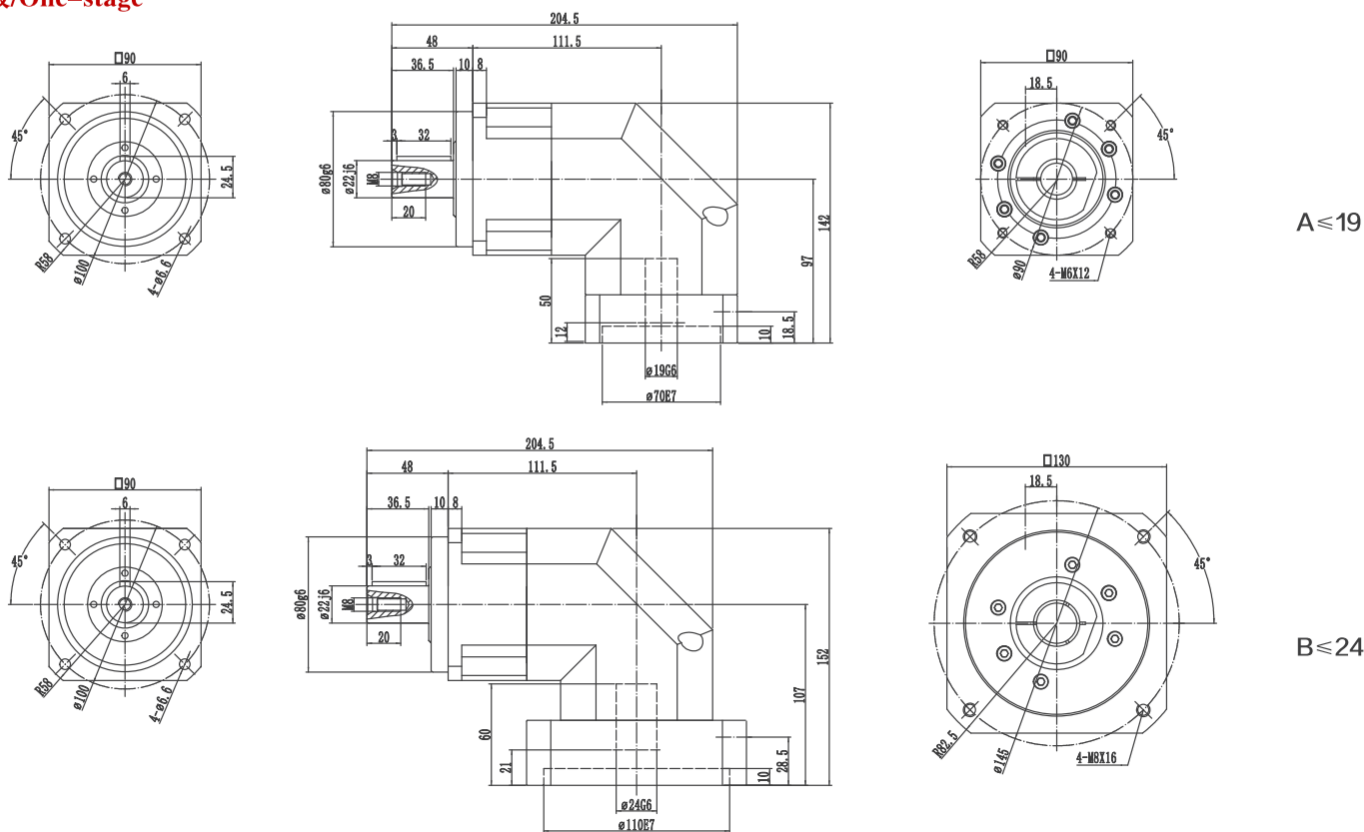
- (1) Please refer to the motor shaft diameter
 - (2) Motor shaft length, for special motor shaft size, please contact
 - (3) Reducer input size, depending on the flange surface of the motor
- *If no suitable size available, please contact

BR090			单级/One-stage												双级/Two-stage											
速比 ⁽¹⁾ Speed ratio	i		3	4	5	6	7	8	9	10	12	16	20	25	30	35	40	50	60	70	80	100				
额定输出力矩(n_{1N}) Rated output torque	T_{2N}	Nm	130	140	160	140	140	120	100	100	120	120	100	160	130	140	140	160	140	140	120	100				
紧急制动力矩 Emergency braking torque (在减速机工作寿命内允许1000次) (1000 times during the working life of the reducer)	T_{2NOT}	Nm	3倍额定输出力矩/3 Times rated output torque																							
额定输入转速(T_{2n} , 20°C环境温度) Rated input speed (T_{2n} , 20 °C ambient temperature)	n_{1N}	rpm	3000																							
最大输入转速 Maximum input speed	n_{1max}	rpm	6000																							
空载力矩($n_l=3000rpm$, 20°C环境温度) No-load torque ($n_l=3000 RPM, 20^\circ C$ ambient temperature)	T_{012}	Nm	2	1.9	1.8	1.8	1.7	1.5	1.3	1.1	1.2	1.1	1.0	0.9	0.8	0.7	0.6	0.5	0.5	0.4	0.3	0.3				
回程间隙PS Backlash PS	j_t	Arcmin	≤ 2												≤ 3											
回程间隙P0 Backlash P0	j_t	Arcmin	≤ 4												≤ 5											
回程间隙P1 Backlash P1	j_t	Arcmin	≤ 6												≤ 7											
回程间隙P2 Backlash P2	j_t	Arcmin	≤ 8												≤ 9											
扭转刚度 Torsional stiffness	C_{121}	Nm/Arcmin	14																							
最大轴向力 ⁽²⁾ Maximum axial force	F_{2AMax}	N	1630																							
最大径向力 ⁽²⁾ Maximum radial force	F_{2RMax}	N	3250																							
工作效率 Work efficiency	η	%	95												92											
工作寿命 ⁽³⁾ Service life	L_h	h	20000																							
噪音 ($i=10$ 和 $n_l=3000rpm$, 空载) Noise ($i=10$ and $n_l=3000rpm$, no load)	L_{PA}	DB(A)	≤ 65																							
重量 Weight	m	Kg	6.5												7.8											
安装方向 Installation direction			任意方向/Any direction																							
使用温度 ⁽⁴⁾ Operating temperature	°C		-10~90																							
润滑方式 Lubrication method			终生润滑/Lifetime lubrication																							
防护等级 Protection level			IP65																							
转动惯量 Moment of inertia 按减速机输入直径(mm) Input diameter based on the reducer(mm)	14	J_1	Kgcm ²	0.25	0.2	0.2	0.15	0.13	0.12	0.1	0.1	0.09	0.09	0.08	0.25	0.23	0.21	0.2	0.18	0.18	0.18	0.16	0.16			
	19	J_1	Kgcm ²	0.28	0.25	0.25	0.22	0.18	0.17	0.15	0.14	0.14	0.13	0.12	0.7	0.7	0.7	0.7	0.7	0.7	0.6	0.5	0.5			
	22	J_1	Kgcm ²	0.65	0.6	0.55	0.55	0.52	0.5	0.5	0.48	0.48	0.45	0.42	0.8	0.8	0.7	0.7	0.7	0.7	0.65	0.6	0.6			

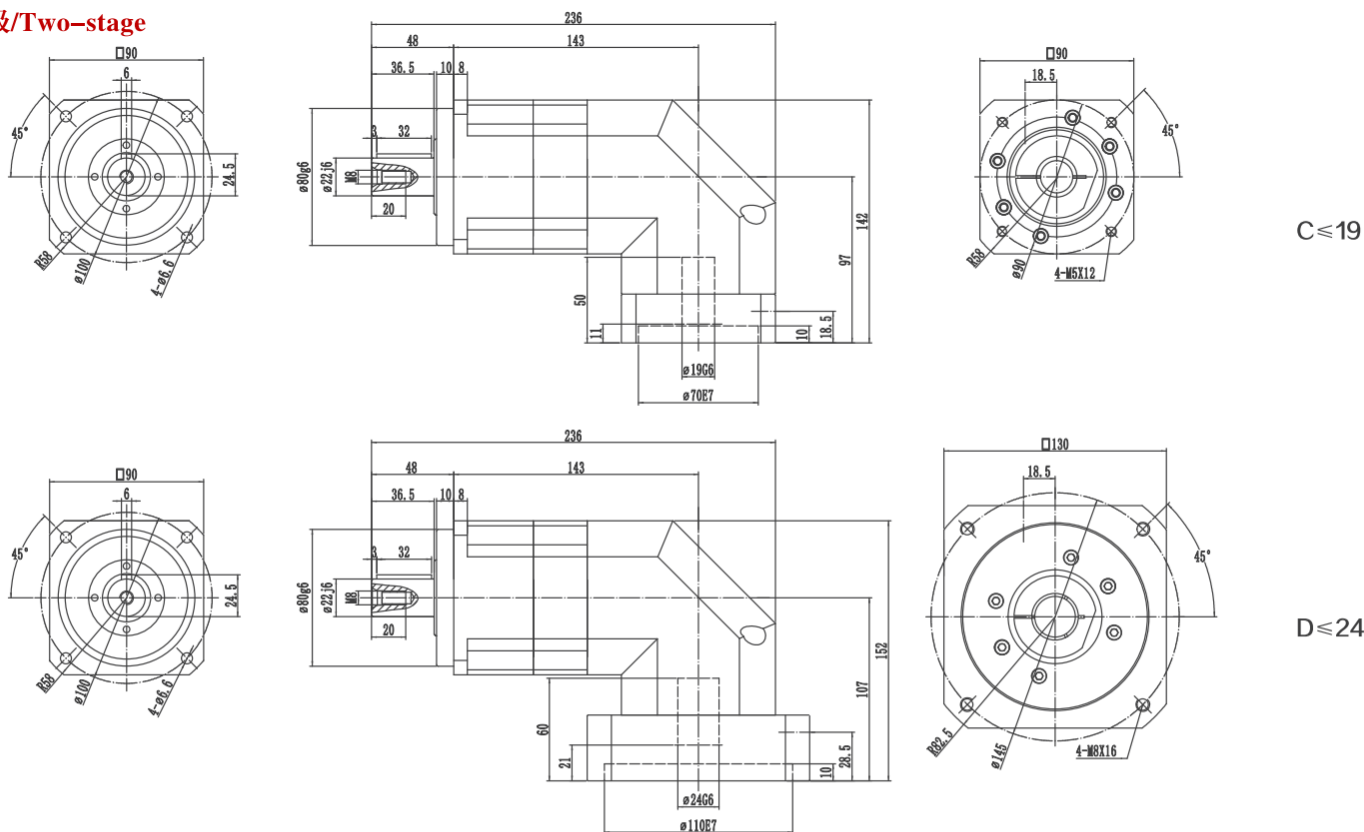
1. 可选其他减速比
2. 输出轴中心点
3. 连续运转时, 使用寿命为10000h
4. 对温度有特殊要求请联系

1. Optional other ratio
2. Output shaft center point
3. Service life of 10000h in continuous operation
4. For special requirements on temperature, please contact

单级/One-stage



双级/Two-stage



- (1) 请参照马达轴径尺寸
 - (2) 马达轴最长长度, 如有特殊的马达轴尺寸, 请联系
 - (3) 减速机输入端尺寸, 依马达的法兰面而定
- *如无适合的尺寸, 请联系

- (1) Please refer to the motor shaft diameter
 - (2) Motor shaft length, for special motor shaft size, please contact
 - (3) Reducer input size, depending on the flange surface of the motor
- *If no suitable size available, please contact



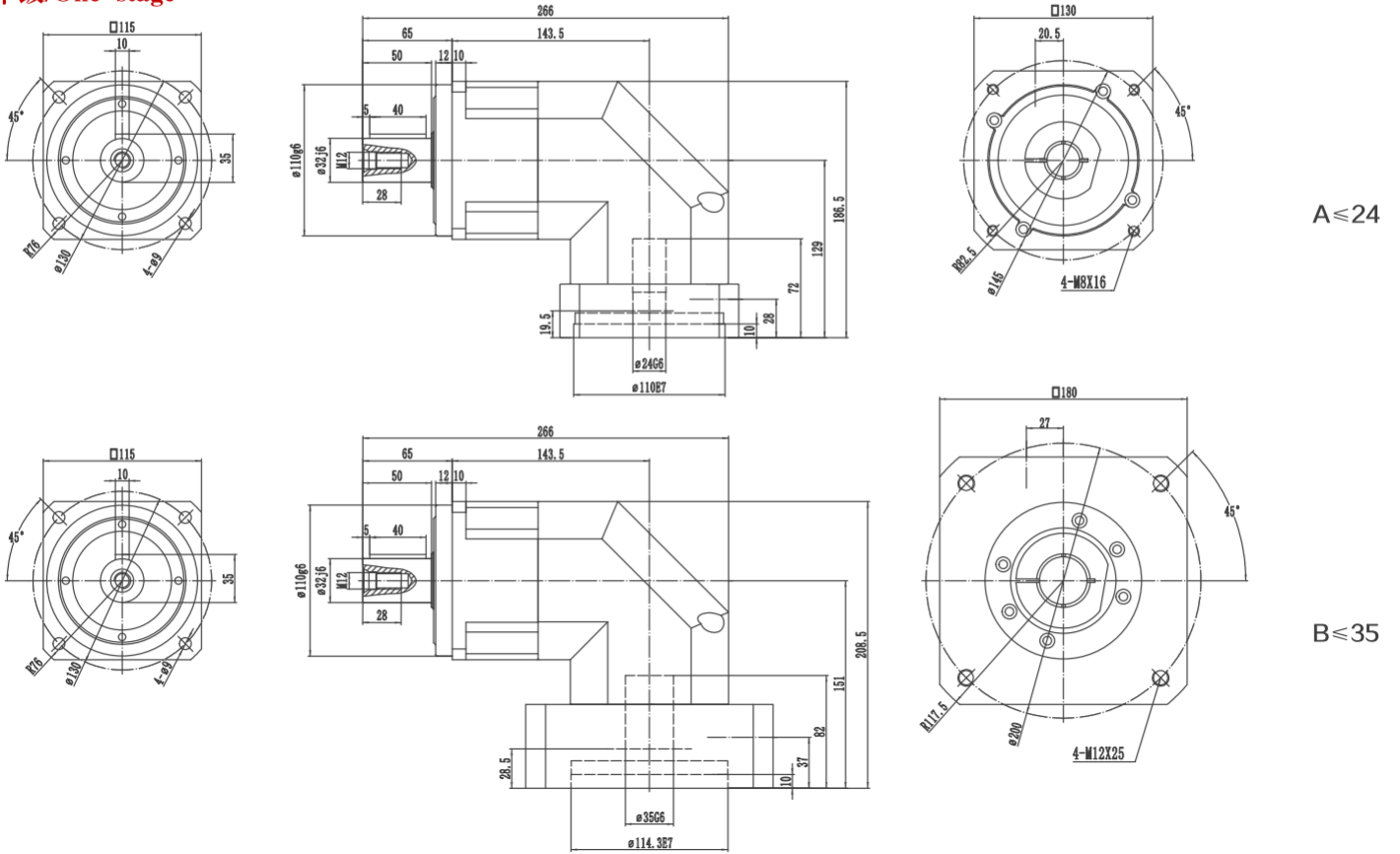
减速机性能资料 REDUCER PERFORMANCE DATA

BR115			单级/One-stage												双级/Two-stage											
速比 ⁽¹⁾ Speed ratio	i		3	4	5	6	7	8	9	10	12	16	20	25	30	35	40	50	60	70	80	100				
额定输出力矩(n _{1N}) Rated output torque	T _{2N}	Nm	208	290	330	300	300	260	230	230	208	260	230	330	208	300	290	330	300	300	260	230				
紧急制动力矩 (在减速机使用寿命内允许1000次) (1000 times during the working life of the reducer)	T _{2NOT}	Nm	3倍额定输出力矩/3 Times rated output torque																							
额定输入转速(T _{2n} , 20°C环境温度) Rated input speed (T _{2n} , 20 °C ambient temperature)	n _{1N}	rpm	3000																							
最大输入转速 Maximum input speed	n _{1max}	rpm	6000																							
空载力矩(nl=3000rpm, 20°C环境温度) No-load torque (nl=3000 RPM, 20°C ambient temperature)	T ₀₁₂	Nm	3.6	3	2.7	2.5	2	1.8	1.6	1.5	1.6	1.5	1.3	1.8	1.6	1.6	1.5	1.2	1	0.8	0.7	0.6				
回程间隙PS Backlash PS	j _t	Arcmin	≤2												≤3											
回程间隙P0 Backlash P0	j _t	Arcmin	≤4												≤5											
回程间隙P1 Backlash P1	j _t	Arcmin	≤6												≤7											
回程间隙P2 Backlash P2	j _t	Arcmin	≤8												≤9											
扭转刚度 Torsional stiffness	C ₁₂₁	Nm/Arcmin	25																							
最大轴向力 ⁽²⁾ Maximum axial force	F _{2AMax}	N	3350																							
最大径向力 ⁽²⁾ Maximum radial force	F _{2RMax}	N	6700																							
工作效率 Work efficiency	η	%	95												92											
工作寿命 ⁽³⁾ Service life	L _n	h	20000																							
噪音(i=10和n1=3000rpm, 空载) Noise(i=10 and n1=3000rpm, no load)	L _{PA}	DB(A)	≤67																							
重量 Weight	m	Kg	13												14											
安装方向 Installation direction			任意方向/Any direction																							
使用温度 ⁽⁴⁾ Operating temperature	°C		-10~90																							
润滑方式 Lubrication method			终生润滑/Lifetime lubrication																							
防护等级 Protection level			IP65																							
转动惯量 Moment of inertia 按减速机输入直径(mm) Input diameter based on the reducer(mm)	14	J ₁	Kgcm ²	3.5	3	2.6	2.2	2	1.8	1.6	1.5	1.5	1.4	1.3	0.7	0.7	0.7	0.7	0.7	0.7	0.6	0.5	0.5			
	19	J ₁	Kgcm ²	4.8	4.6	4.5	4	3.5	3	2.7	2.5	2.5	2.3	2.1	2	1.8	1.8	1.7	1.7	1.6	1.4	1.4	1.4			
	22	J ₁	Kgcm ²	11.5	10.5	10	10	9.9	9.9	9.6	9.5	9	9	8.5	2.2	2.1	2.1	2	2	1.9	1.8	1.8	1.7			

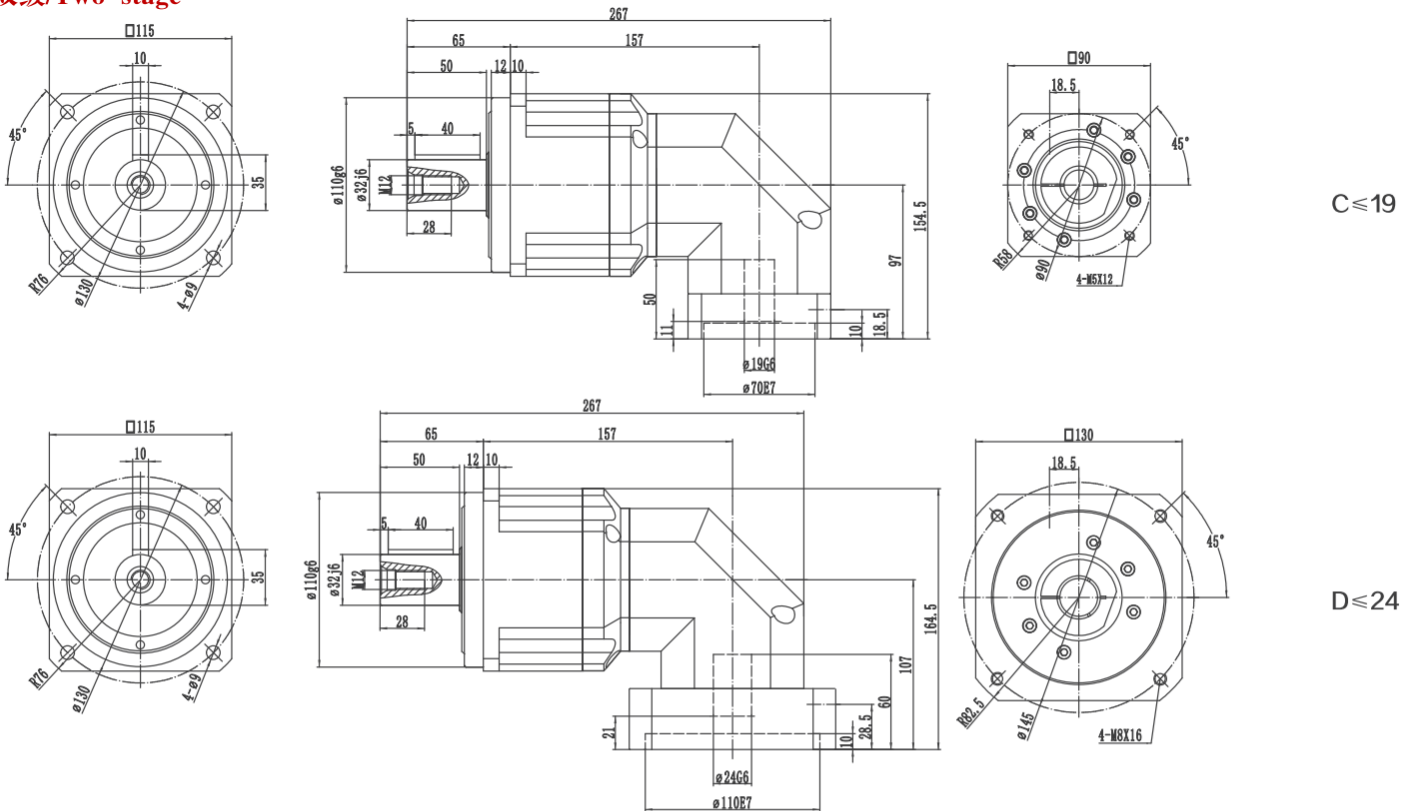
1. 可选其他减速比
2. 输出轴中心点
3. 连续运转时, 使用寿命为10000h
4. 对温度有特殊要求请联系

1. Optional other ratio
2. Output shaft center point
3. Service life of 10000h in continuous operation
4. For special requirements on temperature, please contact

单级/One-stage



双级/Two-stage



- (1) 请参照马达轴径尺寸
 - (2) 马达轴最长长度, 如有特殊的马达轴尺寸, 请联系
 - (3) 减速机输入端尺寸, 依马达的法兰面而定
- *如无适合的尺寸, 请联系

- (1) Please refer to the motor shaft diameter
 - (2) Motor shaft length, for special motor shaft size, please contact
 - (3) Reducer input size, depending on the flange surface of the motor
- *If no suitable size available, please contact

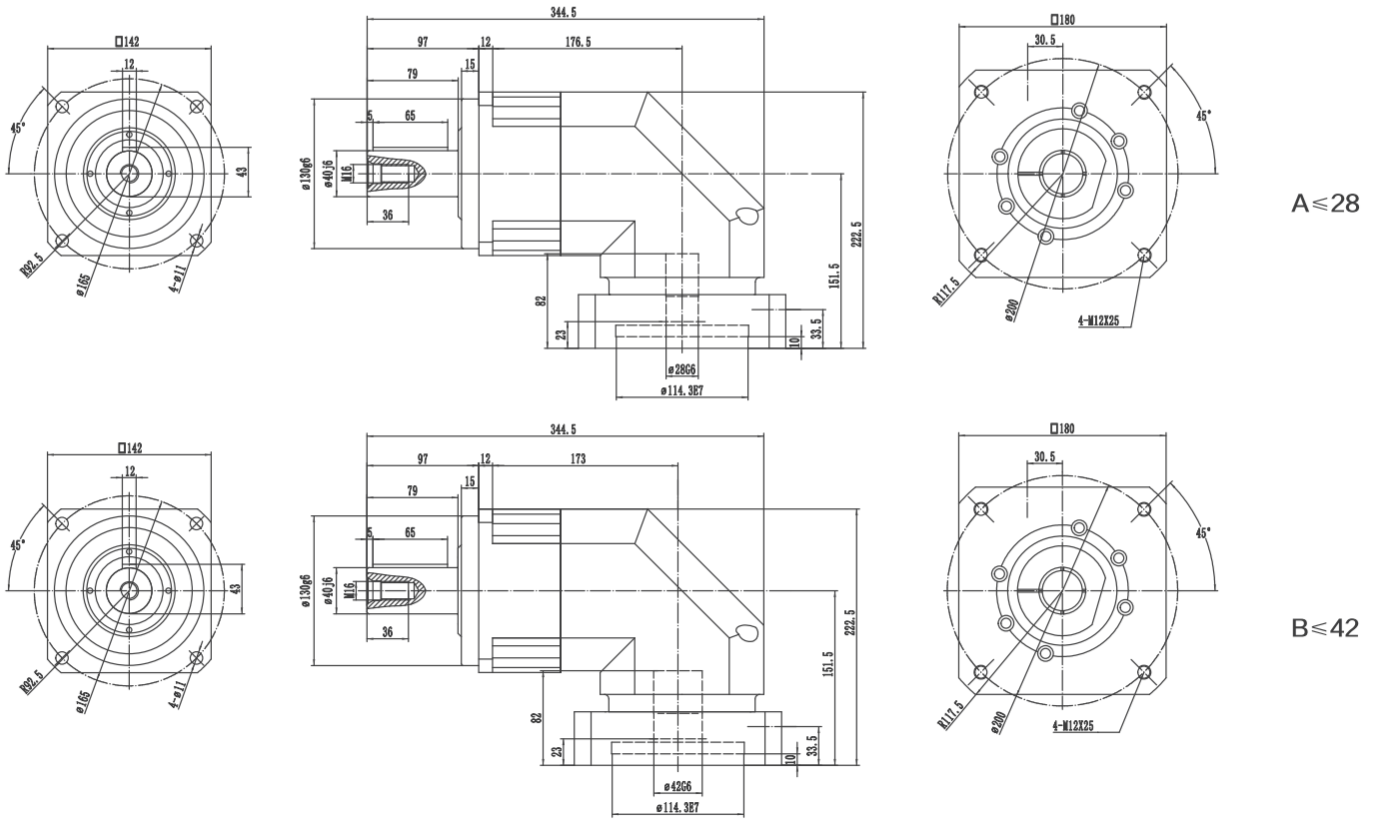
减速机性能资料 REDUCER PERFORMANCE DATA

BR142			单级/One-stage												双级/Two-stage									
速比 ⁽¹⁾ Speed ratio	i		3	4	5	6	7	8	9	10	12	16	20	25	30	35	40	50	60	70	80	100		
额定输出力矩(n_{1N}) Rated output torque	T_{2N}	Nm	342	542	650	550	550	500	450	450	550	550	450	650	342	550	542	650	550	550	500	450		
紧急制动力矩 (在减速机使用寿命内允许1000次) (1000 times during the working life of the reducer)	T_{2NOT}	Nm	3倍额定输出力矩/3 Times rated output torque																					
额定输入转速(T_{2n} , 20°C环境温度) Rated input speed (T_{2n} , 20 °C ambient temperature)	n_{1N}	rpm	3000																					
最大输入转速 Maximum input speed	n_{1max}	rpm	6000																					
空载力矩($n_1=3000rpm$, 20°C环境温度) No-load torque ($n_1=3000 RPM$, 20°C ambient temperature)	T_{012}	Nm	8	6	4.7	4.5	3.5	2.5	2.5	2.5	2.6	2.5	2.3	3.5	2.8	2.6	2.2	2.0	1.9	1.8	1.6	1.5		
回程间隙PS Backlash PS	j_t	Arcmin	≤ 2												≤ 3									
回程间隙P0 Backlash P0	j_t	Arcmin	≤ 4												≤ 5									
回程间隙P1 Backlash P1	j_t	Arcmin	≤ 6												≤ 7									
回程间隙P2 Backlash P2	j_t	Arcmin	≤ 8												≤ 9									
扭转刚度 Torsional stiffness	C_{121}	Nm/Arcmin	50																					
最大轴向力 ⁽²⁾ Maximum axial force	F_{2AMax}	N	4700																					
最大径向力 ⁽²⁾ Maximum radial force	F_{2RMax}	N	9400																					
工作效率 Work efficiency	η	%	95												92									
工作寿命 ⁽³⁾ Service life	L_h	h	20000																					
噪音($i=10$ 和 $n_1=3000rpm$, 空载) Noise($i=10$ and $n_1=3000rpm$, no load)	L_{PA}	DB(A)	≤ 68																					
重量 Weight	m	Kg	24												27									
安装方向 Installation direction			任意方向/Any direction																					
使用温度 ⁽⁴⁾ Operating temperature	°C		-10~90																					
润滑方式 Lubrication method			终生润滑/Lifetime lubrication																					
防护等级 Protection level			IP65																					
转动惯量 Moment of inertia 按减速机输入直径(mm) Input diameter based on the reducer(mm)	24	J_1	Kgcm ²	10.5	8	8	7.2	7	6.5	5.8	5.5	5	5	4.8	2.6	2.2	2	1.7	1.7	1.6	1.4	1.4	1.4	
	35	J_1	Kgcm ²	14.5	12	11	10	10	9.5	9.5	9	9	8.5	8.5	3.3	3.2	3	2.9	2.7	2.5	2.3	2.2	2	
	42	J_1	Kgcm ²	26	25	24.5	24.1	24.1	23	22.5	22	21	21	19.8	14.5	12	11	10	10	9.5	9.5	9	9	

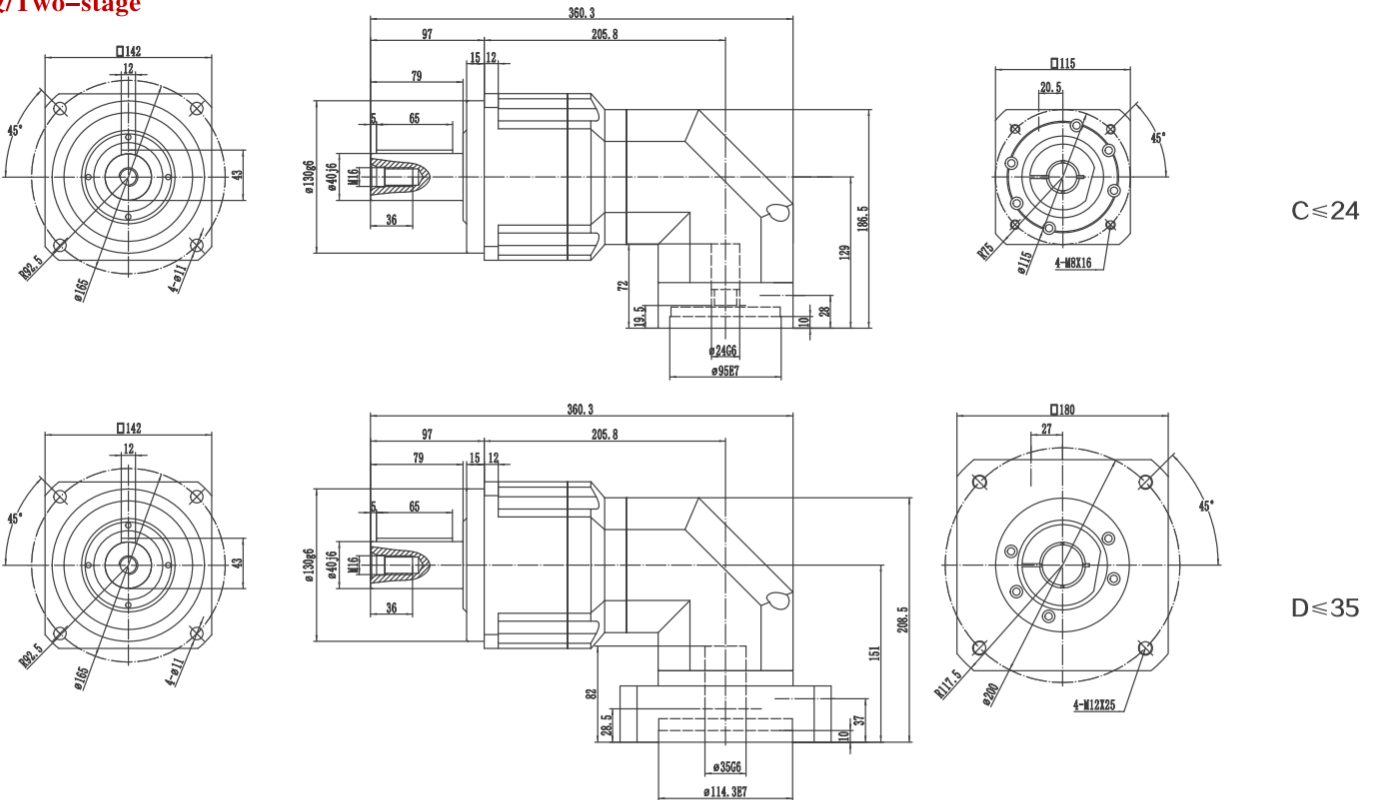
1. 可选其他减速比
2. 输出轴中心点
3. 连续运转时, 使用寿命为10000h
4. 对温度有特殊要求请联系

1. Optional other ratio
2. Output shaft center point
3. Service life of 10000h in continuous operation
4. For special requirements on temperature, please contact

单级/One-stage



双级/Two-stage



- (1) 请参照马达轴径尺寸
 - (2) 马达轴最长长度, 如有特殊的马达轴尺寸, 请联系
 - (3) 减速机输入端尺寸, 依马达的法兰面而定
- *如无适合的尺寸, 请联系

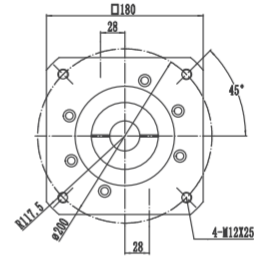
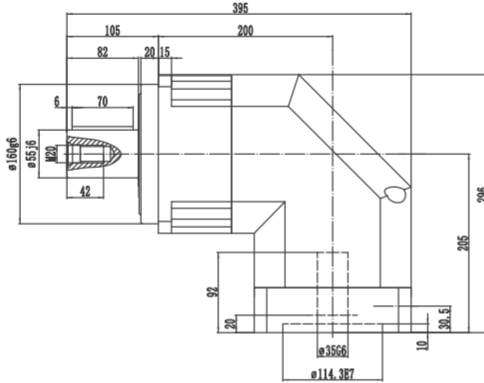
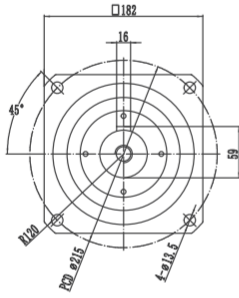
- (1) Please refer to the motor shaft diameter
 - (2) Motor shaft length, for special motor shaft size, please contact
 - (3) Reducer input size, depending on the flange surface of the motor
- *If no suitable size available, please contact

BR180			单级/One-stage												双级/Two-stage									
速比 ⁽¹⁾ Speed ratio	i		3	4	5	6	7	8	9	10	12	16	20	25	30	35	40	55	60	70	80	100		
额定输出力矩(n_{1N}) Rated output torque	T_{2N}	Nm	750	1050	1200	1100	1100	1100	900	900	1000	1000	900	750	1050	1050	1200	1100	1020	1200	1100	900		
紧急制动力矩 Emergency braking torque (在减速机使用寿命内允许1000次) (1000 times during the working life of the reducer)	T_{2NOT}	Nm	3倍额定输出力矩/3 Times rated output torque																					
额定输入转速(T_{2n} , 20°C环境温度) Rated input speed (T_{2n} , 20 °C ambient temperature)	n_{1N}	rpm	3000																					
最大输入转速 Maximum input speed	n_{1max}	rpm	6000																					
空载力矩($n_1=3000rpm$, 20°C环境温度) No-load torque ($n_1=3000$ RPM, 20°C ambient temperature)	T_{012}	Nm	15	13	12	11	9	7.5	6.5	5.5	2.6	2.5	2.3	14	11	11	9	9	8	7	6.8	5		
回程间隙PS Backlash PS	j_t	Arcmin	≤ 2												≤ 3									
回程间隙P0 Backlash P0	j_t	Arcmin	≤ 4												≤ 5									
回程间隙P1 Backlash P1	j_t	Arcmin	≤ 6												≤ 7									
回程间隙P2 Backlash P2	j_t	Arcmin	≤ 8												≤ 9									
扭转刚度 Torsional stiffness	C_{121}	Nm/Arcmin	145																					
最大轴向力 ⁽²⁾ Maximum axial force	F_{2AMax}	N	7250																					
最大径向力 ⁽²⁾ Maximum radial force	F_{2RMax}	N	14500																					
工作效率 Work efficiency	η	%	95												92									
工作寿命 ⁽³⁾ Service life	L_h	h	20000																					
噪音($i=10$ 和 $n_1=3000rpm$, 空载) Noise($i=10$ and $n_1=3000rpm$, no load)	L_{PA}	DB(A)	≤ 70																					
重量 Weight	m	Kg	51												55									
安装方向 Installation direction			任意方向/Any direction																					
使用温度 ⁽⁴⁾ Operating temperature	°C		-10~90																					
润滑方式 Lubrication method			终生润滑/Lifetime lubrication																					
防护等级 Protection level			IP65																					
转动惯量 Moment of inertia 按减速机输入直径(mm) Input diameter based on the reducer(mm)	35	J_1	Kgcm ²	49	35	30	25	23	22	20	19	15	15	14.8	9.5	9	8.8	8.2	7.9	7.5	6.8	6.2	5.5	
	42	J_1	Kgcm ²	52	41	37	36	35	32	30	28	19	18.5	18.5	12	11.4	10.9	10.2	9.8	9.7	9.3	9.0	8.5	
	55	J_1	Kgcm ²	66	50	44	42	40	38	36	36	31	31	29.8	13	12.1	11	10.5	10.2	10	9.9	9.8	9.5	

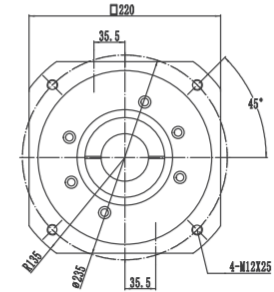
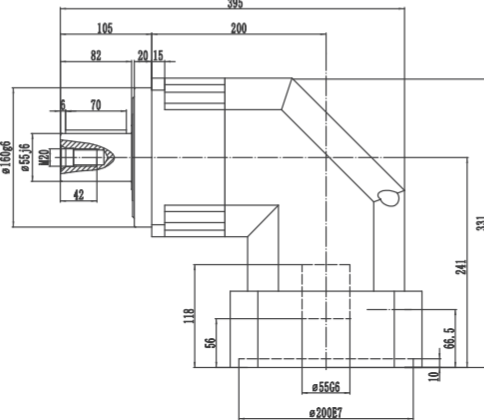
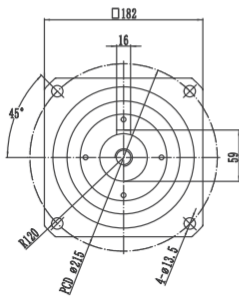
1. 可选其他减速比
2. 输出轴中心点
3. 连续运转时, 使用寿命为10000h
4. 对温度有特殊要求请联系

1. Optional other ratio
2. Output shaft center point
3. Service life of 10000h in continuous operation
4. For special requirements on temperature, please contact

单级/One-stage

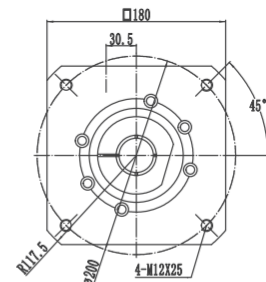
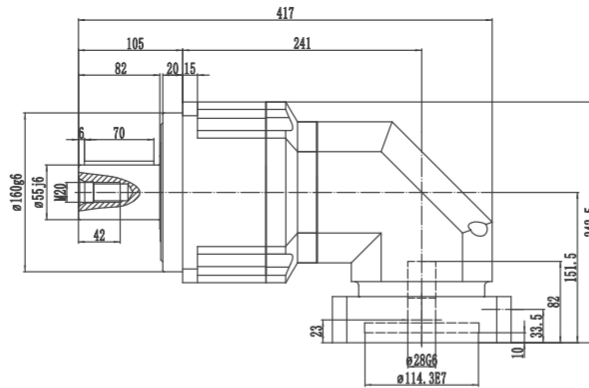
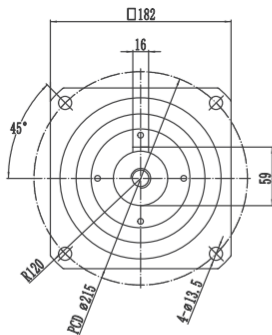


A ≤ 35

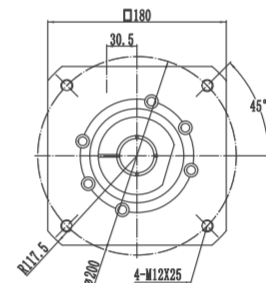
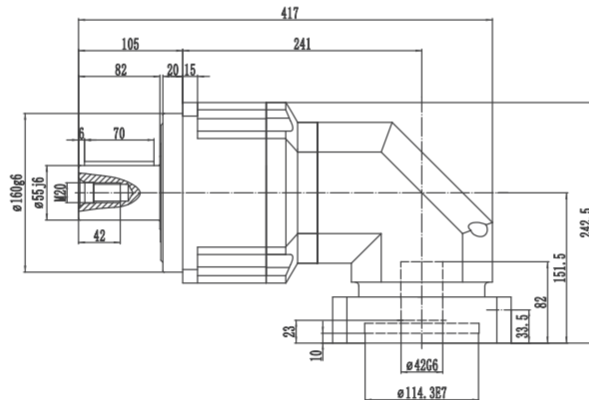
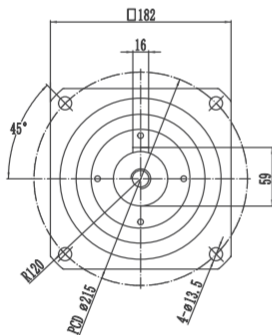


B ≤ 55

双级/Two-stage



C ≤ 28



D ≤ 42

- (1) 请参照马达轴径尺寸
 - (2) 马达轴最长长度, 如有特殊的马达轴尺寸, 请联络
 - (3) 减速机输入端尺寸, 依马达的法兰面而定
- *如无适合的尺寸, 请联络

- (1) Please refer to the motor shaft diameter
 - (2) Motor shaft length, for special motor shaft size, please contact
 - (3) Reducer input size, depending on the flange surface of the motor
- *If no suitable size available, please contact

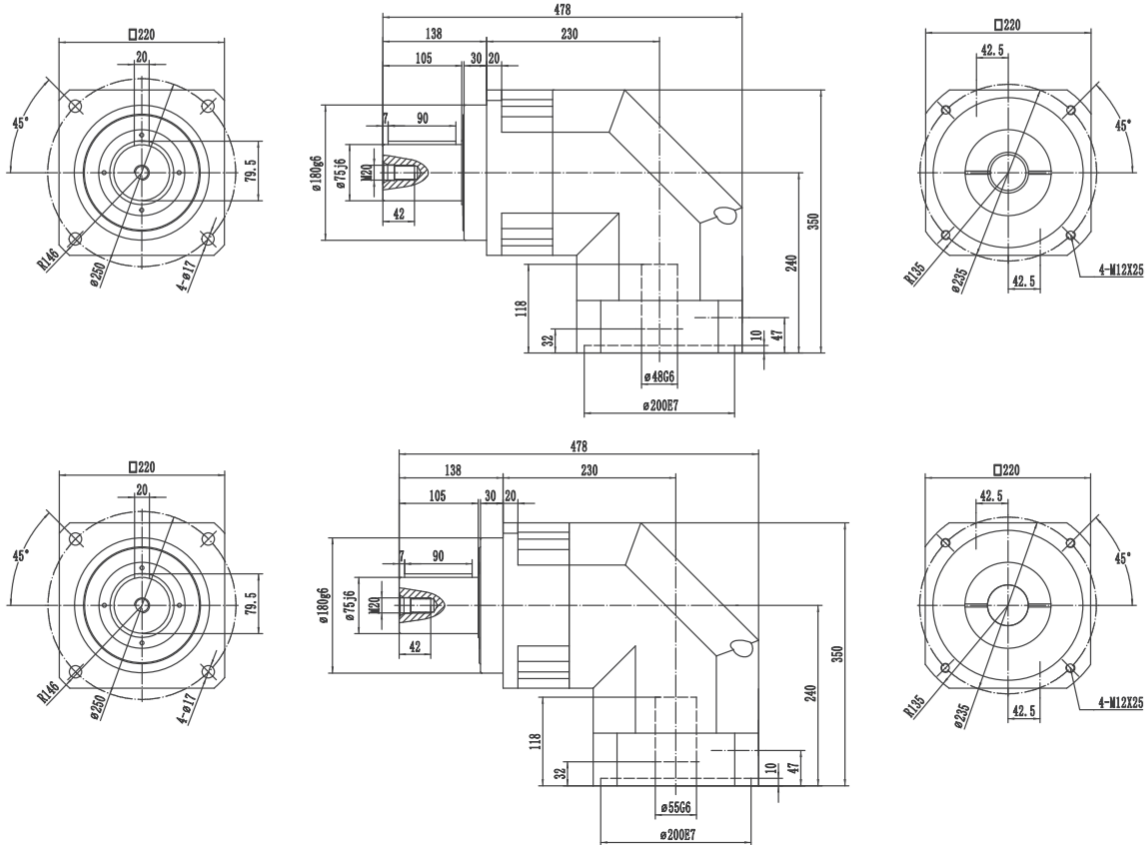
减速机性能资料 REDUCER PERFORMANCE DATA

BR220			单级/One-stage												双级/Two-stage									
速比 ⁽¹⁾ Speed ratio	i		3	4	5	6	7	8	9	10	12	16	20	25	30	35	40	55	60	70	80	100		
额定输出力矩(n_{1N}) Rated output torque	T_{2N}	Nm	1140	1700	2000	1800	1800	1600	1500	1500	1600	1600	150	750	1050	1050	1200	1100	1020	1200	1100	900		
紧急制动力矩 Emergency braking torque (在减速机使用寿命内允许1000次) (1000 times during the working life of the reducer)	T_{2NOT}	Nm	3倍额定输出力矩/3 Times rated output torque																					
额定输入转速(T_{2n} , 20°C环境温度) Rated input speed (T_{2n} , 20 °C ambient temperature)	n_{1N}	rpm	2000																					
最大输入转速 Maximum input speed	n_{1max}	rpm	4000																					
空载力矩($n_l=3000rpm$, 20°C环境温度) No-load torque ($n_l=3000 RPM$, 20°C ambient temperature)	T_{012}	Nm	33	22	17	8	6	5	4.5	3.5	2.6	2.5	2.3	14	11	11	9	9	8	7	6.8	5		
回程间隙PS Backlash PS	j_t	Arcmin	≤ 2												≤ 3									
回程间隙P0 Backlash P0	j_t	Arcmin	≤ 4												≤ 5									
回程间隙P1 Backlash P1	j_t	Arcmin	≤ 6												≤ 7									
回程间隙P2 Backlash P2	j_t	Arcmin	≤ 8												≤ 9									
扭转刚度 Torsional stiffness	C_{121}	Nm/Arcmin	225																					
最大轴向力 ⁽²⁾ Maximum axial force	F_{2AMax}	N	14000																					
最大径向力 ⁽²⁾ Maximum radial force	F_{2RMax}	N	3000																					
工作效率 Work efficiency	η	%	95												92									
工作寿命 ⁽³⁾ Service life	L_h	h	20000																					
噪音 ($i=10$ 和 $n_l=3000rpm$, 空载) Noise ($i=10$ and $n_l=3000rpm$, no load)	L_{PA}	DB(A)	≤ 72																					
重量 Weight	m	Kg	91												55									
安装方向 Installation direction			任意方向/Any direction																					
使用温度 ⁽⁴⁾ Operating temperature	°C		-10~90																					
润滑方式 Lubrication method			终生润滑/Lifetime lubrication																					
防护等级 Protection level			IP65																					
转动惯量 Moment of inertia 按减速机输入直径(mm) Input diameter based on the reducer(mm)	42	J_1	Kgcm ²	80	70	68	65	55	52	45	40	40	38	37	18	16	15.5	14	14	13	12	10.8	9.5	
	55	J_1	Kgcm ²	130	95	77	75	68	65	60	55	55	50	50	30	28	27	26.5	25.5	24	23	21	19.5	

1. 可选其他减速比
2. 输出轴中心点
3. 连续运转时, 使用寿命为10000h
4. 对温度有特殊要求请联系

1. Optional other ratio
2. Output shaft center point
3. Service life of 10000h in continuous operation
4. For special requirements on temperature, please contact

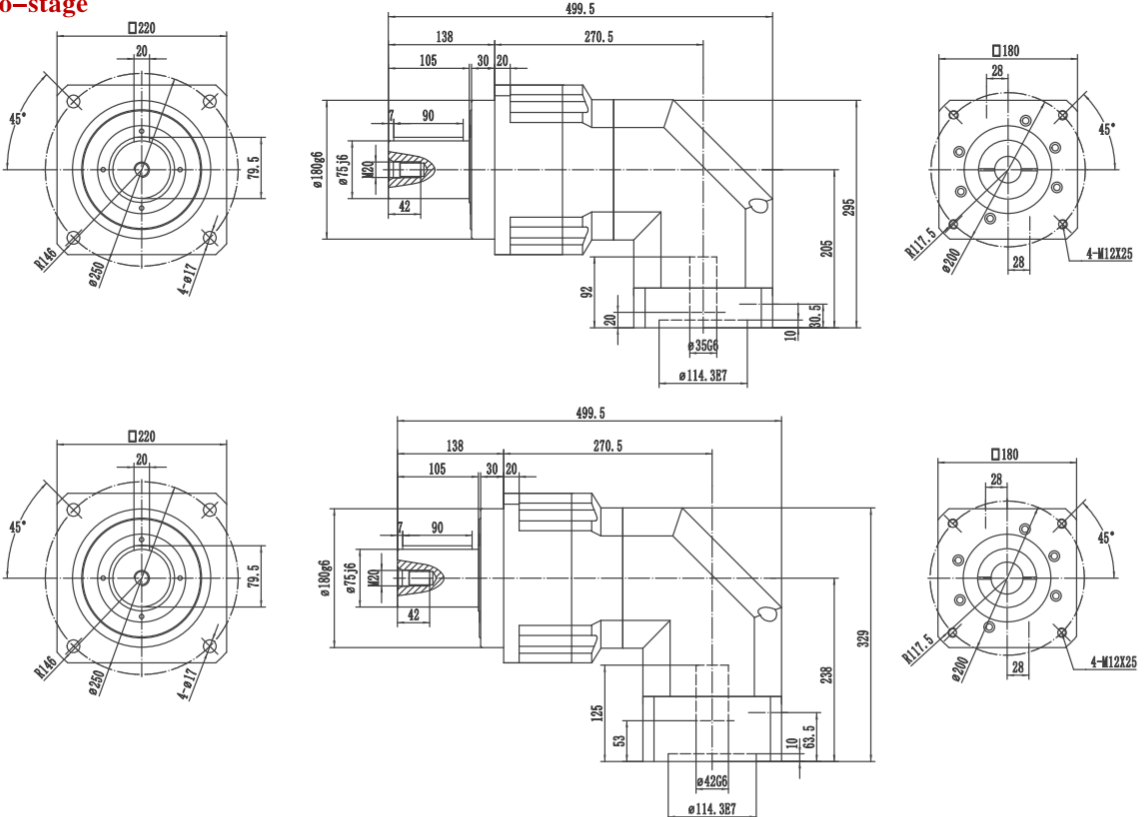
单级/One-stage



A ≤ 48

B ≤ 55

双级/Two-stage



C ≤ 35

D ≤ 42

- (1) 请参照马达轴尺寸
 - (2) 马达轴最长长度, 如有特殊的马达轴尺寸, 请联系
 - (3) 减速机输入端尺寸, 依马达的法兰面而定
- *如无适合的尺寸, 请联系

- (1) Please refer to the motor shaft diameter
 - (2) Motor shaft length, for special motor shaft size, please contact
 - (3) Reducer input size, depending on the flange surface of the motor
- *If no suitable size available, please contact